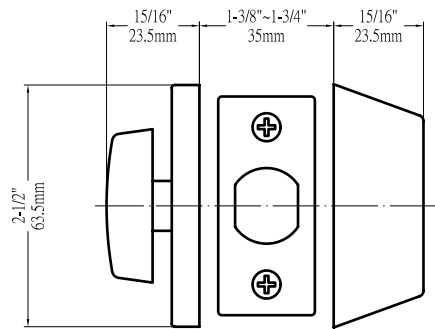
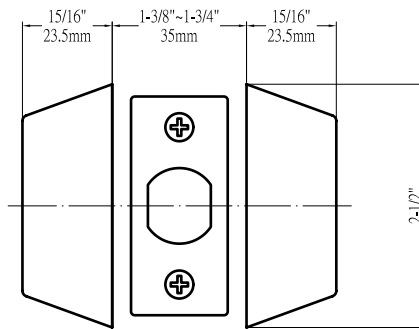


DEADBOLTS

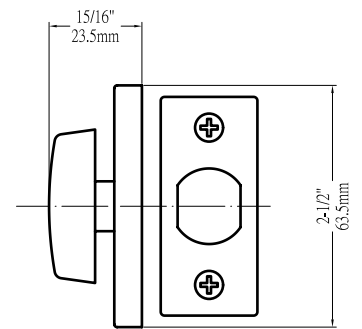
Old World Quality New Age Design



Single Cylinder (200)



Double Cylinder (210)



One-Sided Half Bore (205)

STANDARD SPECIFICATIONS

| | | | |
|-----------------------|--|---------------------|--|
| Door Prep | Cross bore: 2-1/8" Edge bore: 1" Latch face: 1" x 2-1/4" | Latches | Deadbolt: 2-3/8" & 2-3/4" adjustable (9092) Faceplate: 1" x 2-1/4" round corner Bolt: 1" throw with hardened steel rod |
| Backset | Fits 2-3/8" and 2-3/4" | Strikes | 2-1/4" full lip round corner (9113 & 9117) |
| Door Thickness | 1-3/8" ~ 1-3/4" door standard | Wood Screws | Combination screws that suit both wood or metal door mounting |
| Cylinder | KW1 5-pin standard. SC1 5-pin optional Deadbolts packed KA5 | Door Handing | Not Required |

PRICING

| Model | Function | PVD | US3 | US5 | US15 | US15A | US26 | Antique Silver | US10B | US10BE | BLACK | |
|-------|---------------------|------------|--------|--------|--------|--------|--------|----------------|--------|--------|--------|--------|
| 200S | Single Cylinder | Item No. | KA2009 | KA2003 | KA2005 | KA2001 | KA2008 | KA2006 | KA2002 | KA2000 | KA2007 | KA2004 |
| | | List Price | | | | | | | | | | |
| 210S | Double Cylinder | Item No. | KA2109 | KA2103 | KA2105 | KA2101 | KA2108 | KA2106 | KA2102 | KA2100 | KA2107 | KA2104 |
| | | List Price | | | | | | | | | | |
| 205S | One-Sided Half-Bore | Item No. | — | KD2003 | KD2005 | KD2001 | KD2008 | — | — | — | — | — |
| | | List Price | | | | | | | | | | |

CTN/QTY & WEIGHTS

| Model | Function | WT/LB | CTN QTY |
|-------|---------------------|--------|---------|
| 200S | Single Cylinder | 27 Lbs | 20 Pcs |
| 210S | Double Cylinder | 36 Lbs | 20 Pcs |
| 205S | One-Sided Half-Bore | 15 Lbs | 20 Pcs |



THE DELANEY CO.

Copyright © THE DELANEY CO. All rights reserved.