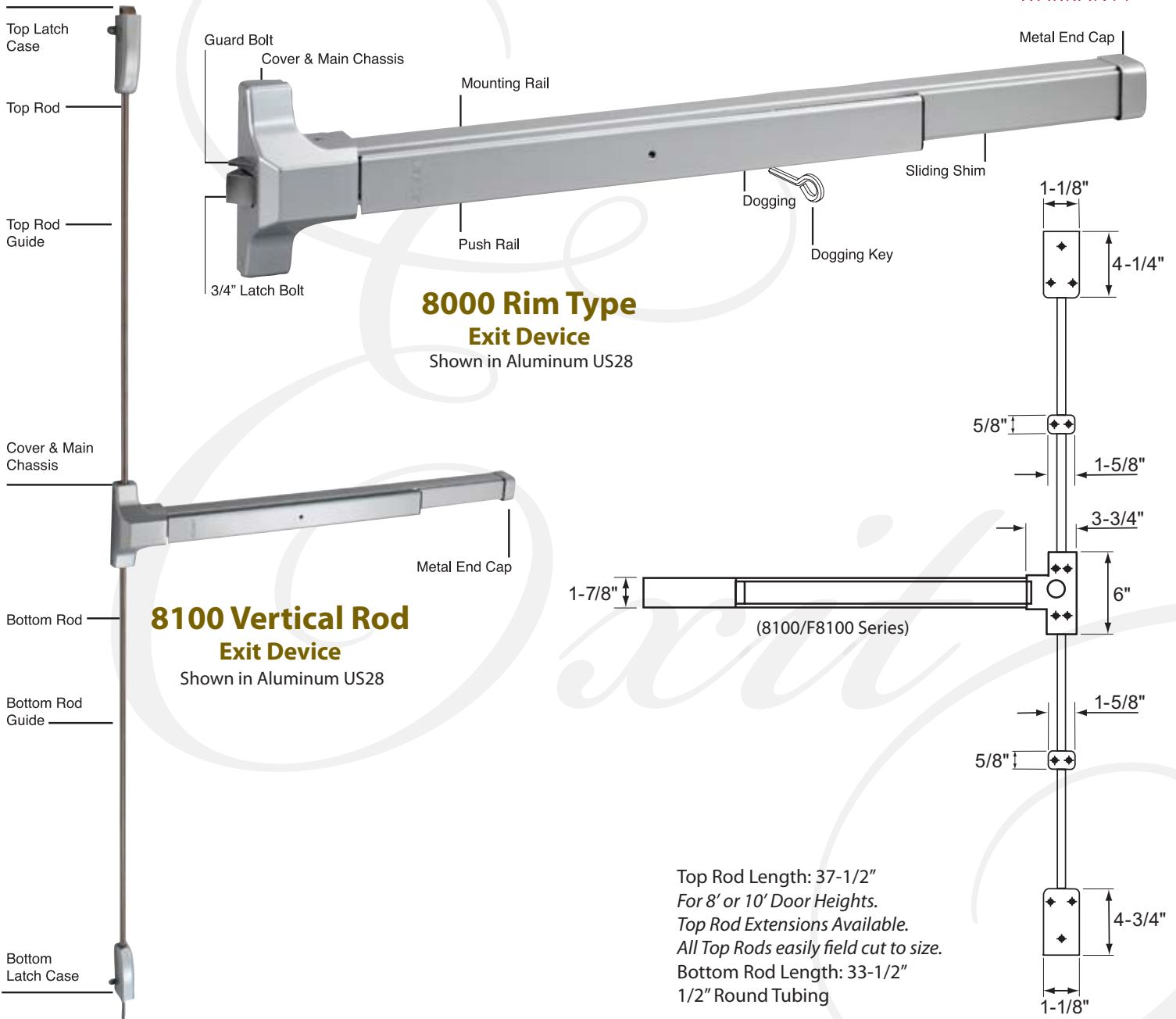


ANSI Grade 1 156.3 Panic Hardware Rim Type & Vertical Rod Exit Devices



8000 Series
8100 Series

10 YEAR
WARRANTY



8000 Rim Type Exit Device

Shown in Aluminum US28

8100 Vertical Rod Exit Device

Shown in Aluminum US28

Top Rod Length: 37-1/2"
For 8' or 10' Door Heights.
Top Rod Extensions Available.
All Top Rods easily field cut to size.
Bottom Rod Length: 33-1/2"
1/2" Round Tubing

PRODUCT FEATURES

- Will cover stock hollow metal doors with 161 cutout.
- Hex Key Dogging feature standard.
- Outside Pull or Lever trim available (See Trim page for options).
- Non Handed (8000 Series)
- Reversible (8100 Series)

FINISHES AVAILABLE

US CODE	DESCRIPTION
US28	Aluminum
US32D	Stainless Steel
DURO	Duro Bronze

PRODUCT SPECIFICATIONS

- APPLICATIONS:** For offices, schools, hospitals, apartments, hotel/motels, and other public buildings.
- DOOR THICKNESS:** 1-3/4" ~ 2" standard, 2-1/4" optional.
- 8000 SERIES DOOR SIZE:** 33" to 36". Bar easily field cut to size.
- 8100 SERIES DOOR SIZE:** 33" to 36" x 84". Top Rod Extension available.
- STILE WIDTH:** 4-1/2" minimum stile width required for 8000 Series. 3-1/2" minimum stile width required for 8100 Series.
- CHASSIS, END CAP & RAIL ASSEMBLY:** Painted steel (Aluminum or Duro) or stainless steel (US32D).
- COVER:** Zinc Alloy
- LATCHBOLT:** Zinc with 3/4" throw (8000 Series). Zinc (8100 Series).
- LATCHBOLT SPRING:** Stainless steel throughout.
- GUARD BOLT:** Stainless steel (8000 Series only).
- 8000 SERIES STRIKE:** #8170 Steel Roller Strike – 2-3/4" Backset. Optional Strike #8070 for 2-3/8" Backset.
- 8100 SERIES STRIKE:** #8171 Steel Strike for Top Case. #8172 Zinc Strike for Bottom Case.
- MOUNTING:** Furnished standard with wood & machine screws. Sex nuts and bolts (1346) optional.
- UL & ULC LISTED:** Complies with UL 305 standards. Listed for safety as Panic Hardware.