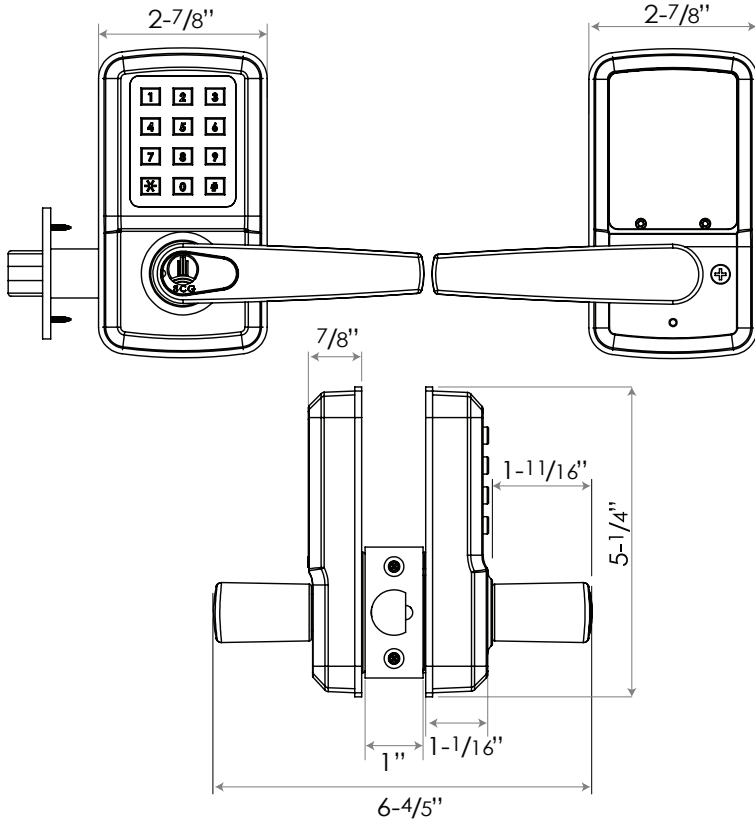


SK500
DIGITAL LEVER LOCK



DIMENSIONS



Shown with the Milton Lever. Additional styles available with factory lead times.

STANDARD SPECIFICATIONS

Door Prep	Cross bore: 2-1/8" Edge bore: 1" Latch face: 1" x 2-1/4"	Power	6V (4-AA batteries included) Estimated battery life is 1 year
Backset	Fits 2-3/8" and 2-3/4"	Passcode	4-6 digits, Maximum of 9 Passcodes supported
Door Thickness	1-3/8" ~ 2" door	Master Passcodes	4-6 digits, Maximum of 1 Master Passcode supported
Cylinder	KW1 5-pin standard	Warranty Period	2 years
Latches	Deadlatch for maximum security	Door Handing	Specify RH or LH when ordering

PRICING

Model	Function	WT/LB	CTN QTY		US15	US10B	PVD - US3
SK500	Digital Lever Lock	36 Lbs	8 Pcs	Item No.	301606	301607	301608
				List Price			



THE DELANEY CO.

Copyright © THE DELANEY CO. All rights reserved.