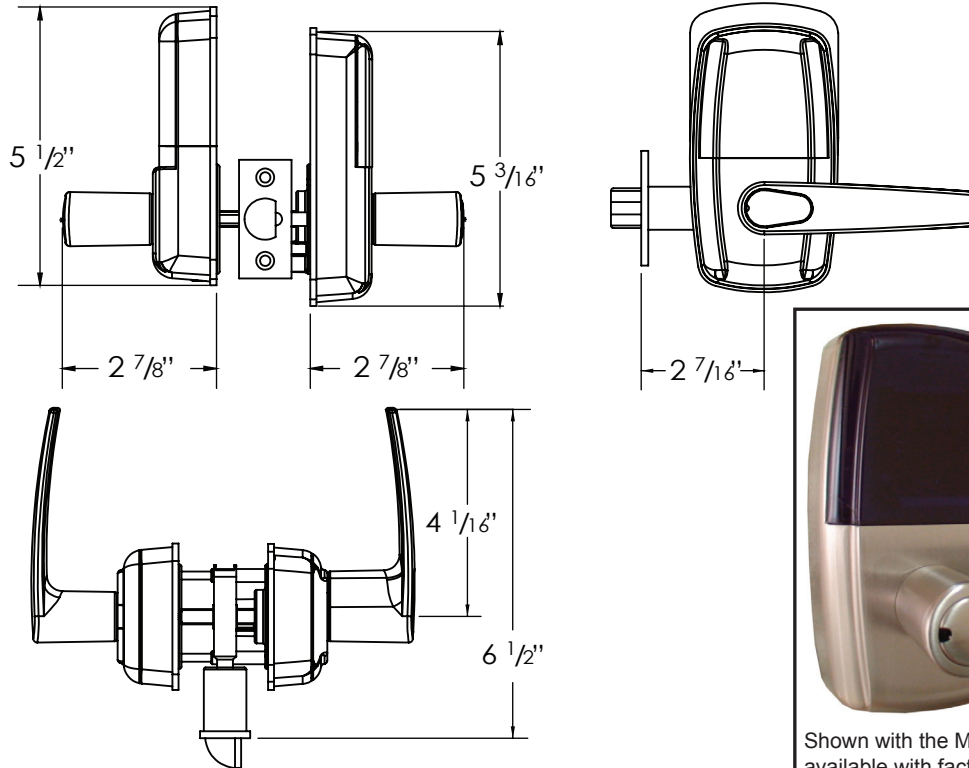


**SR500 RFID LOCK(RESIDENTIAL)
SH500 RFID LOCK (HOTEL)**



DIMENSIONS



Shown with the Milton Lever. Additional styles available with factory lead times.

STANDARD SPECIFICATIONS

Door Prep	Cross bore: 2-1/8" Edge bore: 1" Latch face: 1" x 2-1/4"	Cards	Distance: 0" - 2" Proximity Verification Time: <1 second Capacity: 99 Cards
Backset	Fits 2-3/8" and 2-3/4"	Cards Included	SR500 Only: 1 Master Card, 2 Credit Card size, 2 Key Chain size
Door Thickness	1-3/8" ~ 2" door	Power	6V (4-AA batteries included)
Cylinder	KW1 5-pin standard	Battery Life	10,000+ uses
Latches	Deadlatch for maximum security	Software Driven	SH500 - Hotel version only
Door Handing	Specify RH or LH when ordering	Warranty Period	2 Years
SR500 Programming	Stand-alone unit	SH500 Programming	Uses Encoder and Handheld Remote

PRICING

Model	Function	WT/CTN	CTN QTY	US15	US10B
SR500	RFID Lockset (Residential) Includes 5-Card Set	36 Lbs	8 Pcs	Item No.	301630
				List Price	
SH500	RFID Lockset (Hotel) Management System sold separately	5 Lbs	1 Pc	Item No.	301634
				List Price	301635
Model	Description	Item Code	List Price		
SRC	RFID 5-Card Set (3 Credit Card size & 2 Key Chain size)	301640			
SHC	RFID 25 Card Set (Credit Card size)	301641			
SHMS	SH500 Management System Includes Software, Card Encoder, Handheld Remote, *In-house Training	301644			
SHEO	SH500 Card Encoder Only	301646			
SHRO	SH500 Handheld Remote Only	301648			

*Jobsite Training Available. Please call for quotation.



THE DELANEY CO.

Copyright © THE DELANEY CO. All rights reserved.